



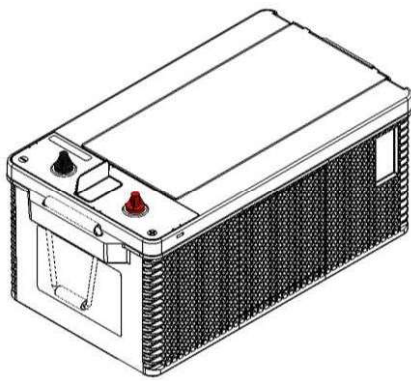
**DO NOT SHORT BATTERY
TERMINALS OR CABLES**



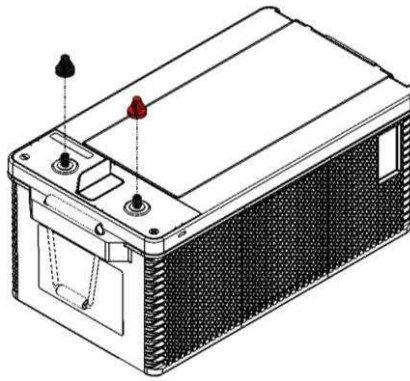
**USE CAUTION WHEN
WORKING WITH
BATTERIES**

KIT CONTENTS:

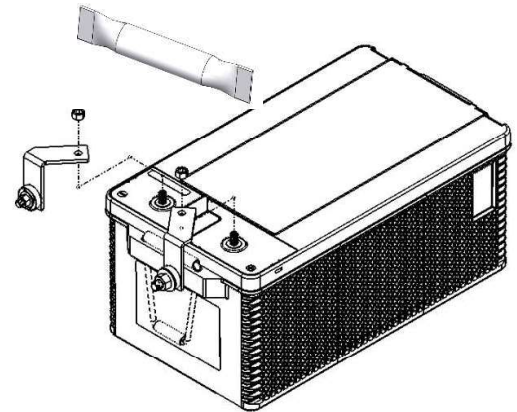
- (1) NEGATIVE DROP TERMINAL ASSEMBLY
- (1) POSITIVE DROP TERMINAL ASSEMBLY
- (1) ANTI-CORROSION TERMINAL COMPOUND
- (2) HEX NUT, 3/8-16 UNC THRD
- (1) INSTRUCTION SHEET



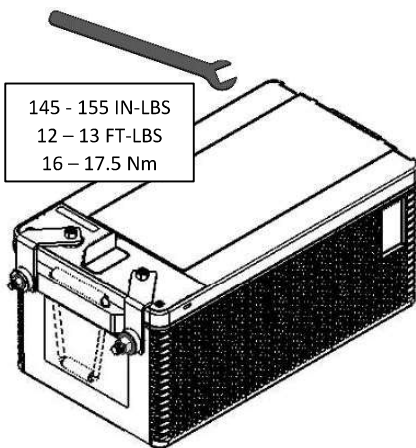
STEP 1 PLACE BATTERY



STEP 2 REMOVE INSULATION CAPS

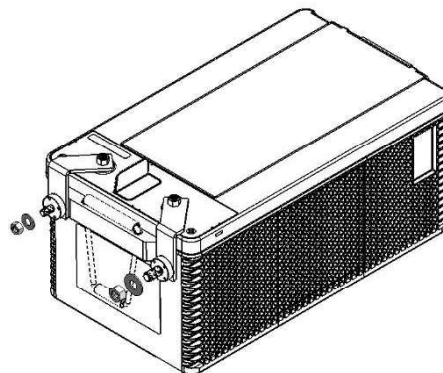


STEP 3 APPLY TERMINAL COMPOUND.
PLACE DROP TERMINALS

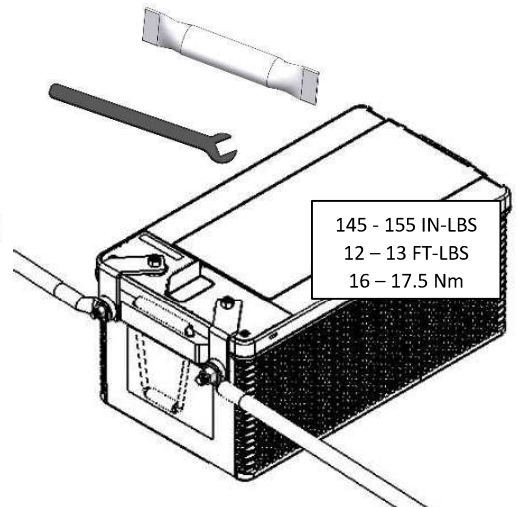


145 - 155 IN-LBS
12 - 13 FT-LBS
16 - 17.5 Nm

STEP 4 TIGHTEN AND TORQUE
PROVIDED HEX NUTS



STEP 5 REMOVE FIELD CONNECTION
HARDWARE



145 - 155 IN-LBS
12 - 13 FT-LBS
16 - 17.5 Nm

STEP 6 INSTALL CABLING, TIGHTEN
AND TORQUE CONNECTIONS.
APPLY TERMINAL COMPOUND



EnerSys World Headquarters
2366 Bernville Road
Reading, PA 19605, USA
Tel: +1-800-964-2837

EnerSys EMEA
EH Europe GmbH
Baarerstrasse 18
6300 Zug, Switzerland

EnerSys Asia
152 Beach Road
#11-08 Gateway East Building
Singapore 189721
Tel: +65 6416 4800