



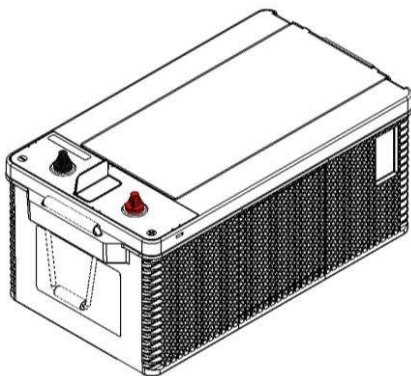
**DO NOT SHORT BATTERY
TERMINALS OR CABLES**



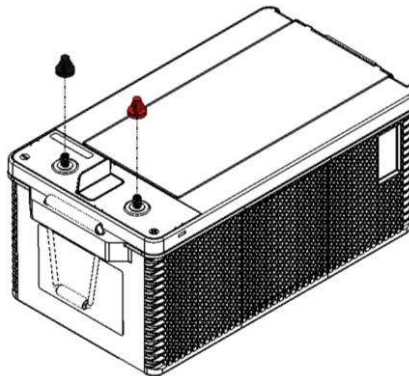
**USE CAUTION WHEN
WORKING WITH
BATTERIES**

KIT CONTENTS:

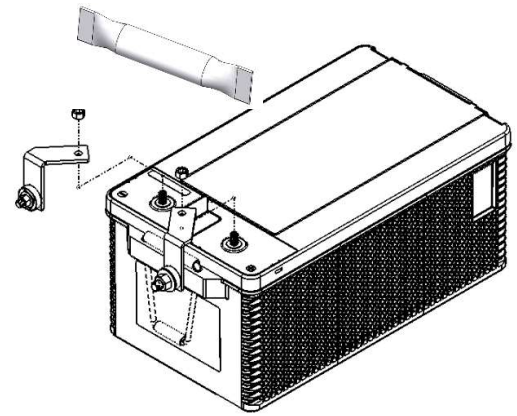
- (1) NEGATIVE DROP TERMINAL ASSEMBLY (3/8-16 UNC THRD)
- (1) POSITIVE DROP TERMINAL ASSEMBLY (1/2-13 UNC THRD)
- (1) ANTI-CORROSION TERMINAL COMPOUND
- (2) HEX NUT, 3/8-16 UNC THRD
- (1) INSTRUCTION SHEET



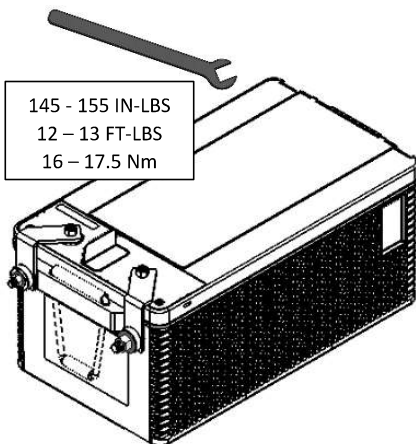
STEP 1 PLACE BATTERY



STEP 2 REMOVE INSULATION CAPS

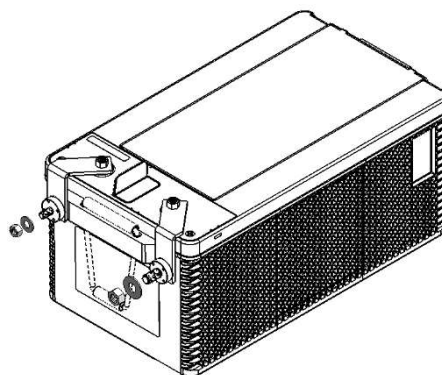


*STEP 3 APPLY TERMINAL COMPOUND.
PLACE DROP TERMINALS*

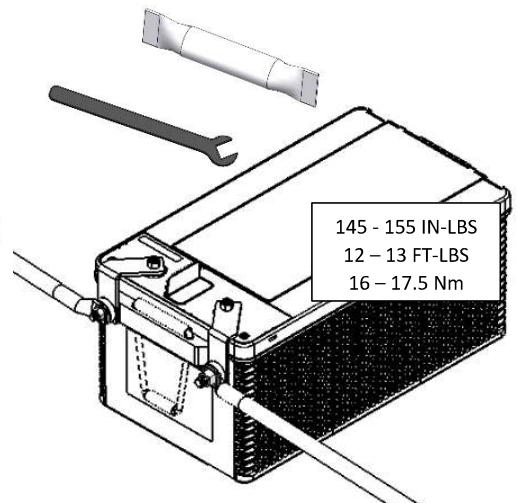


145 - 155 IN-LBS
12 - 13 FT-LBS
16 - 17.5 Nm

*STEP 4 TIGHTEN AND TORQUE
PROVIDED HEX NUTS*



*STEP 5 REMOVE FIELD CONNECTION
HARDWARE*



145 - 155 IN-LBS
12 - 13 FT-LBS
16 - 17.5 Nm

*STEP 6 INSTALL CABLING, TIGHTEN
AND TORQUE CONNECTIONS.
APPLY TERMINAL COMPOUND*